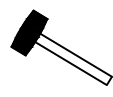
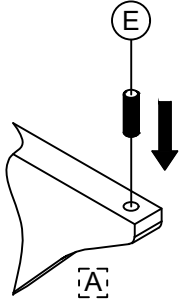
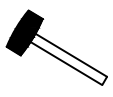
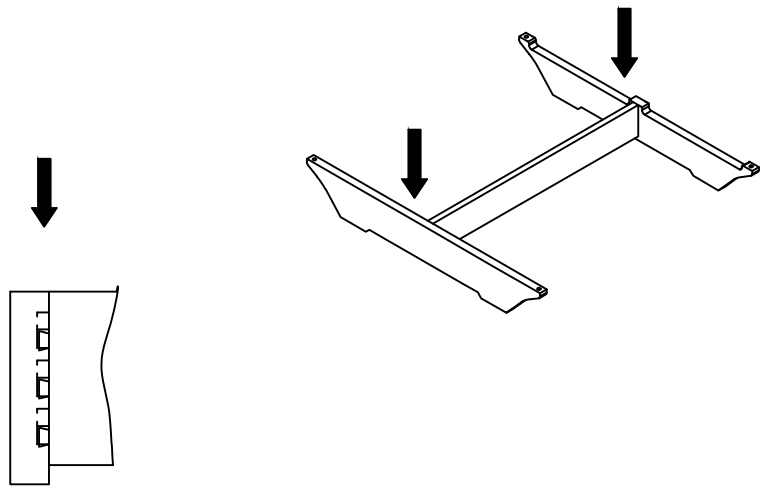
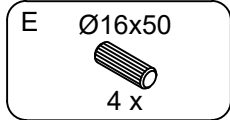
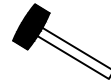
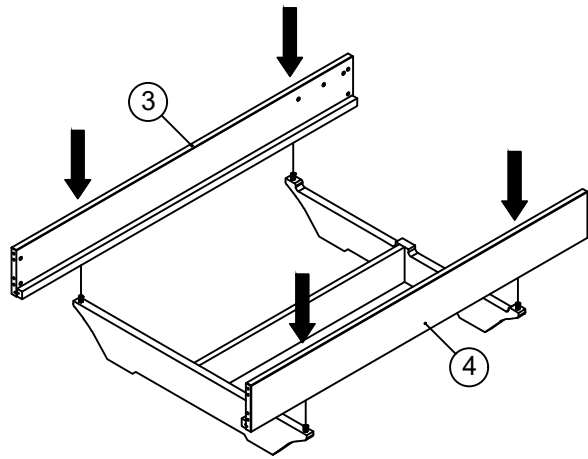


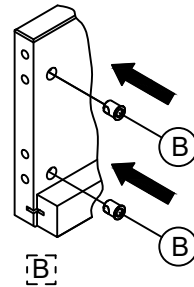
Schwebbett



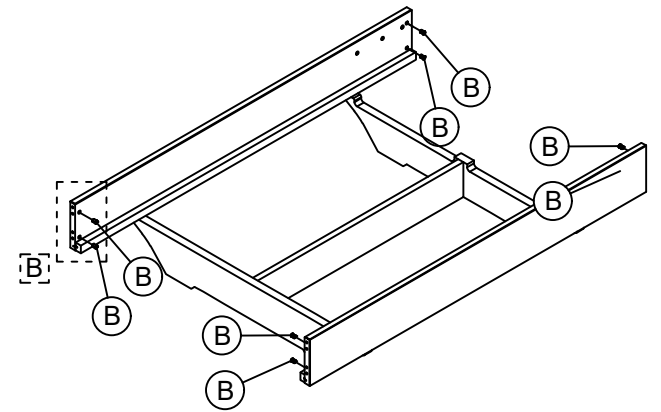
4



B  $\varnothing 14 \times 17$   
8 x



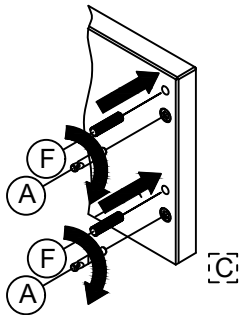
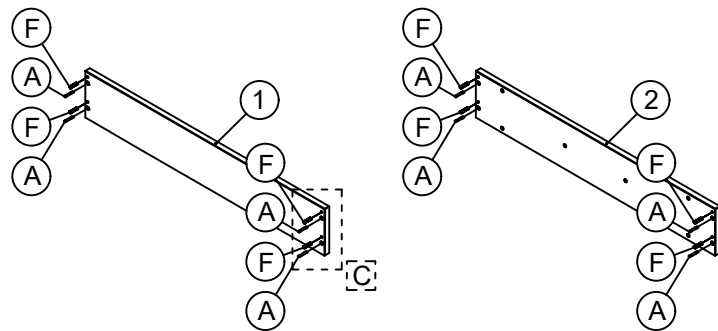
5



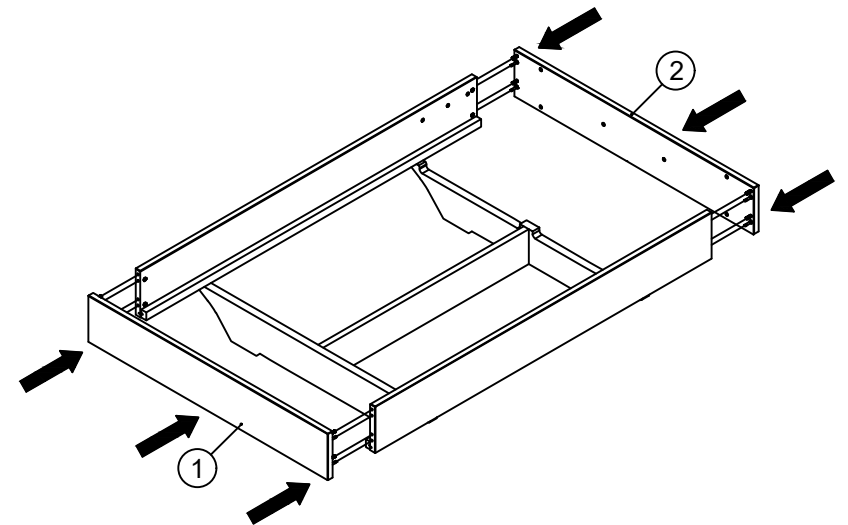
6

A  $\varnothing 8 \times 46$   
8 x

F  $\varnothing 10 \times 40$   
8 x

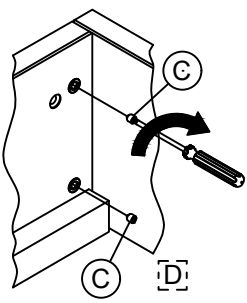
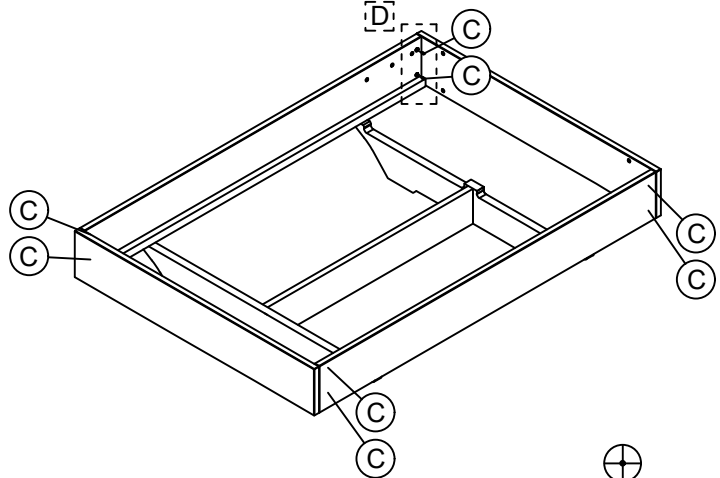


7



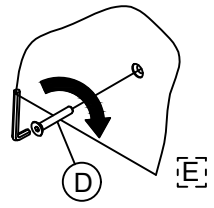
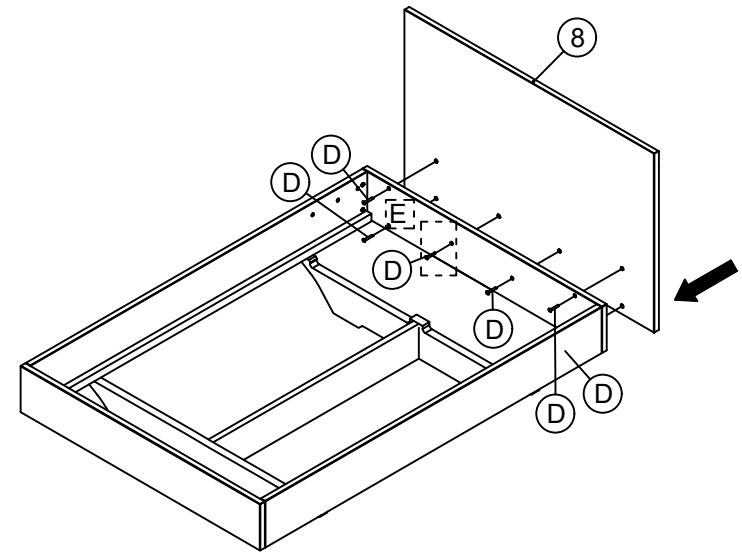
C M8x10  
8 x

8



D M8x50  
6 x

9



SW 5

